

PLASTIC GLUING

JOIN WITHOUT LIMITS



YOUR PARTNER
IN PLASTIC JOINING

PLASTIC GLUING

When you can't weld, you must glue!

In some specific conditions, plastic gluing is the only technology capable to ensure certain joining standard requirements. CEMAS gluing machines are full electric and ensure the highest joining results in terms of speed, quality and cost-effectiveness.

The exceptional versatility of this technology ensures several advantages.



FLEXIBILITY

The glue distribution, performed by an anthropomorphic robot, ensures a high flexibility of the process; it becomes very easy to change the component to be joined. For example, with few modifications to the robot program, it is possible to join multiple versions of the same product.



NO LIMITS

Gluing is the only technology that allows to join together different types of plastic materials, even those whose chemical composition normally does not allow the welding process.



ERGONOMIC

It is possible to simplify the operations for components loading and unloading by choosing a preferred loading height.



FULL ELECTRIC

The electric six-axes movements of the anthropomorphic robot speed up and stabilize the joining process and assure repetitiveness, accuracy and fluidity.



COST-EFFECTIVENESS

All the movements are driven by electric servo controlled motors, and this allows the machine to considerably reduce the power consumption (constantly monitored by the operator panel).



AESTHETIC IN FIRST PLACE

This machine allows to join components with a reduced thickness, that could not be welded by any other technology with acceptable aesthetic results.

APPLICATIONS

No shapes and materials limits

This technology is particularly suitable for joining bumpers, trims, spoilers or any others component that visually must not show imperfections.

For this reason, famous brands such as Maserati and FCA, have relied on CEMAS gluing machines to achieve high-aesthetic-rate results for their top of the range products.



Maserati Levante
(front bumper)

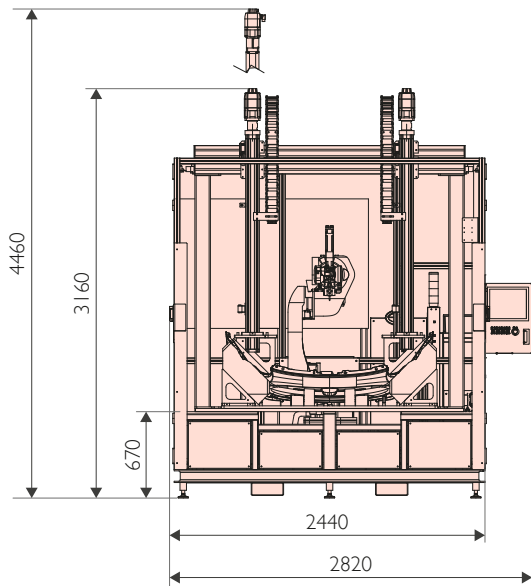


Tipo and
500 L (trims)

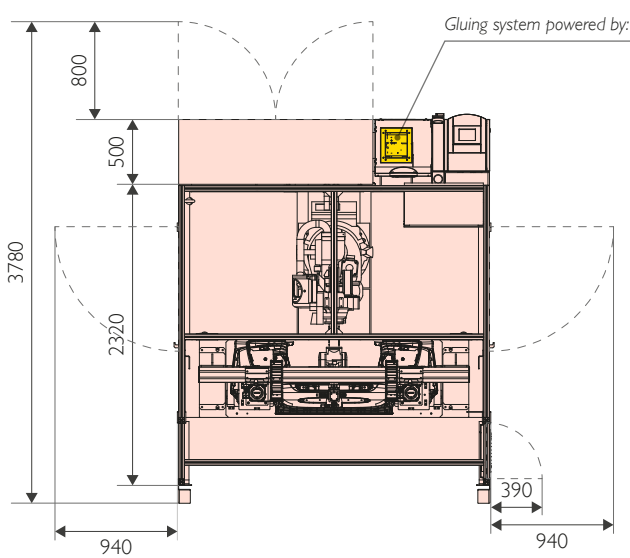
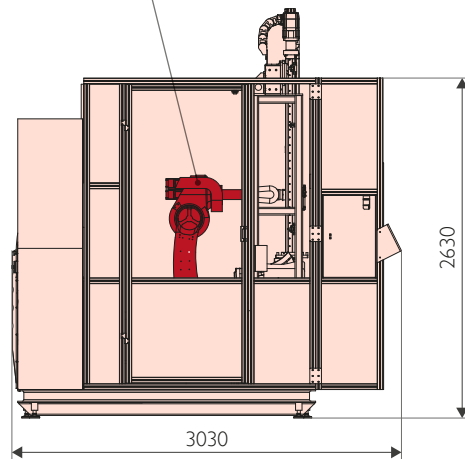


500, 500 Abarth
and 500 Sport
(front and rear
bumpers)





Robot system powered by: **ABB** **KUKA** **COMAU**



Gluing system powered by: **RAMPF** **Nordson**

TECHNICAL DATA

Number of installable anthropomorphic robot (ABB, COMAU, KUKA and others) 1÷2

Number of installable gluing distributor hot melt and hot melt reactive (NORDSON, RAMPF and others) 1÷2

Lifting table dimension [mm] 2200x800

Power supply [50hxThree-phases+N+GND] a.c. 400V

Pneumatic power (min.) [bar] 5

Total weight [kg] 2800

Maximum power required [KW] 20÷40
(depending from the number of Robot, 1 or 2)

AXES DATA

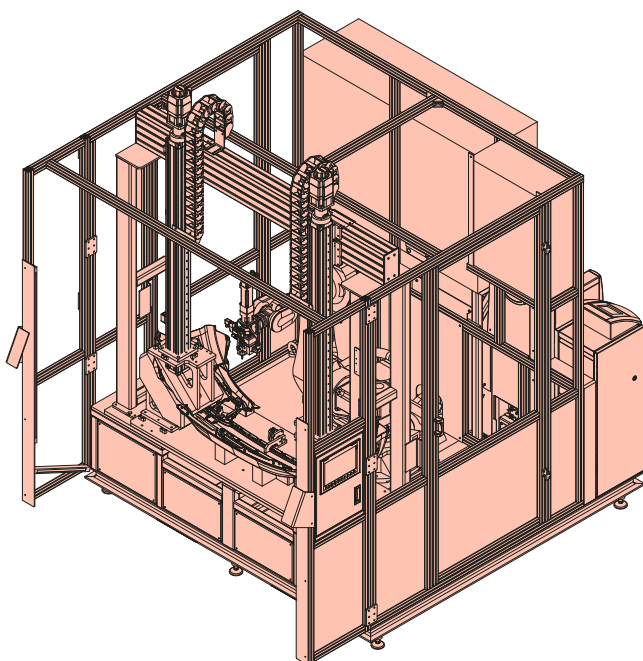
Number of axes 2÷4

Axes stroke 1000÷1500

Axes speed [mm/s] 500

Clamp maximum force [kg/F] 150 (+/- 25%)

Number of weldable components 2÷4



Glue distribution speed [mm/s] 50÷70

Work settings memory up to 15 automatic equipment

PLC Control Siemens S7-CPU 1512SP-1PN

Operating panel Siemens TP900 9"

Work outcome definition Automatic (good/scrap)

Remote assistance Optional

Rotating tablet Optional

● PRODUCTION PLANTS



Italy CEMAS Elettra
info@cemaselettra.com



Germany CEMAS Germany
info@cemas-germany.com



Brasil CEMAS do Brasil
info@cemasdobrasil.com.br



Mexico CEMAS México
mexico.sales@cemaselettra.com



Turkey CEMAS Türk
turkey.sales@cemaselettra.com



China CEMAS China
china.sales@cemaselettra.com

● TECHNICAL AND COMMERCIAL OFFICES



France CEMAS France
france.sales@cemaselettra.com



Portugal/Spain CEMAS Iberica
iberica.sales@cemaselettra.com



Russia CEMAS Russ
russia.sales@cemaselettra.com



UK CEMAS UK powered by Xfurth Ltd
uk.sales@cemaselettra.com



Poland CEMAS Polska powered by KaniTech
polska.sales@cemaselettra.com



Romania CEMAS Romania
romania.sales@cemaselettra.com

■ OFFICIAL DEALERS

USA/Canada 
sales@extolinc.com



CEMAS ELETTRA S.R.L.
Strada degli Occhini, 23
10022 Carmagnola (TO)
Italy

P +39 011 97 12 096
F +39 011 97 73 922
info@cemaselettra.com
www.cemaselettra.com